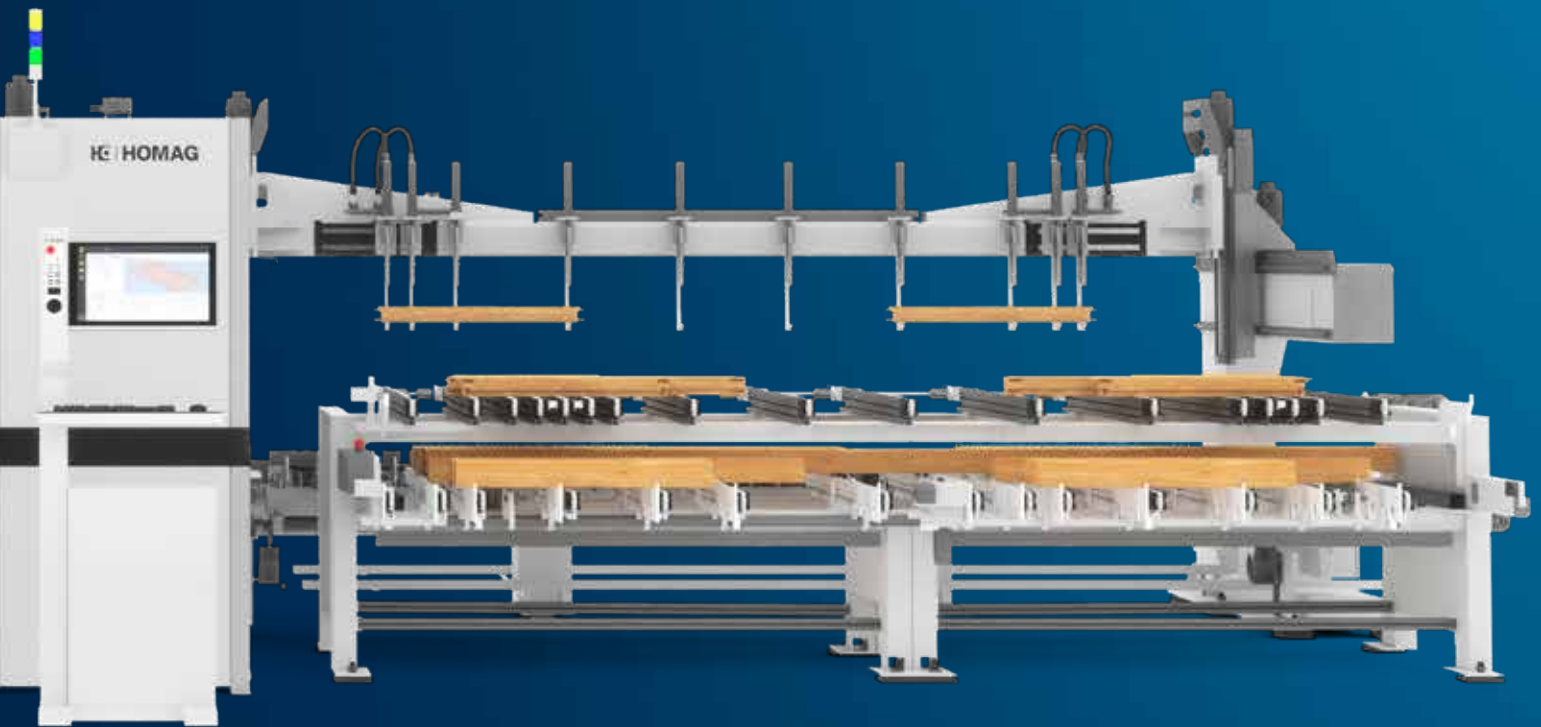


# CENTATEQ S-800|900

**A firm "grip" on window production**  
CENTATEQ S-800|900 CNC processing centers







## Fit for the future, flexible for everyday life.

A lot has changed in the production of windows and doors. New customer requirements, different materials, improved insulation values. To continue to be able to meet all your production needs in the future, you need a partner who also continues to develop. At HOMAG, you can be sure that our machines are constantly being further developed; not to mention, they already fulfill the requirements of tomorrow.

### YOUR SOLUTION

[MORE AT HOMAG.COM](https://www.homag.com)



CENTATEQ S-800|900

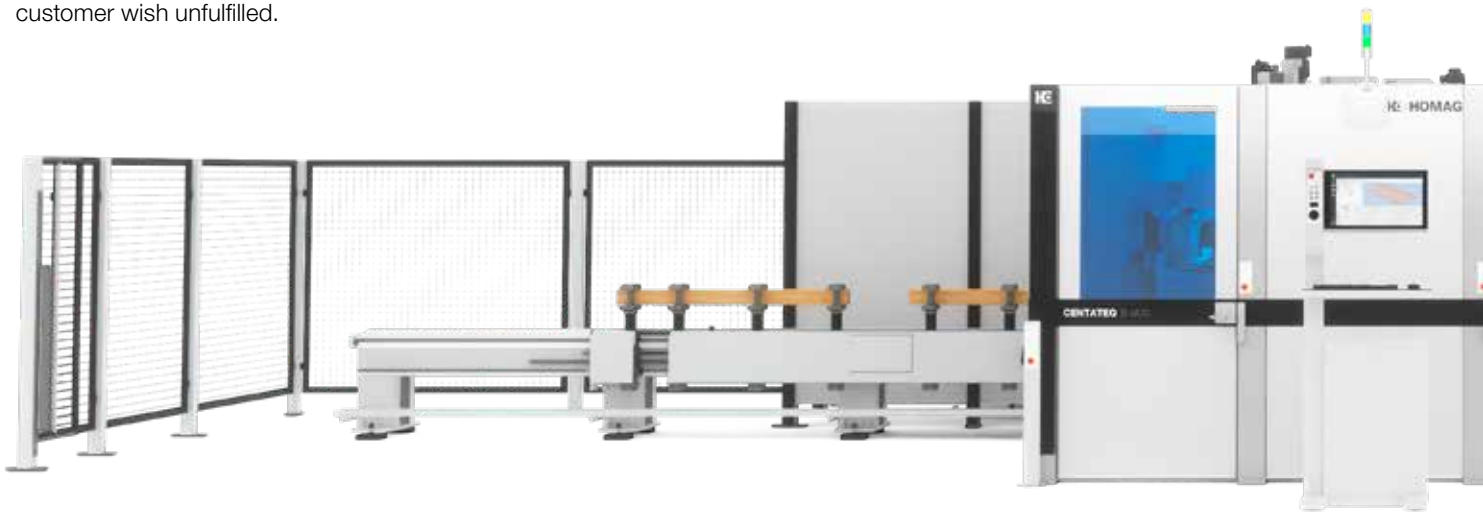
### CONTENTS

- 04 25 years' experience
- 06 Requirements for window construction
- 08 At a glance
- 10 Gripping and clamping technology
- 14 Spindles, units, tool changers
- 18 Profile splitting technology
- 20 Additional functions and options
- 22 Software/control system
- 24 Scalable performance/concepts/configuration
- 30 Life Cycle Services

## Over 25 years of experience!

Since the end of the 1990s, HOMAG has been developing CNC machines for window construction that have changed production and processing processes in a sustainable way. Today, the entire processing process is completed in one machine with maximum precision and outstanding quality. With partially and fully automated solutions, up to 100 window units can be produced per shift.

HOMAG offers solutions for a wide range of components and designs, leaving no customer wish unfulfilled.



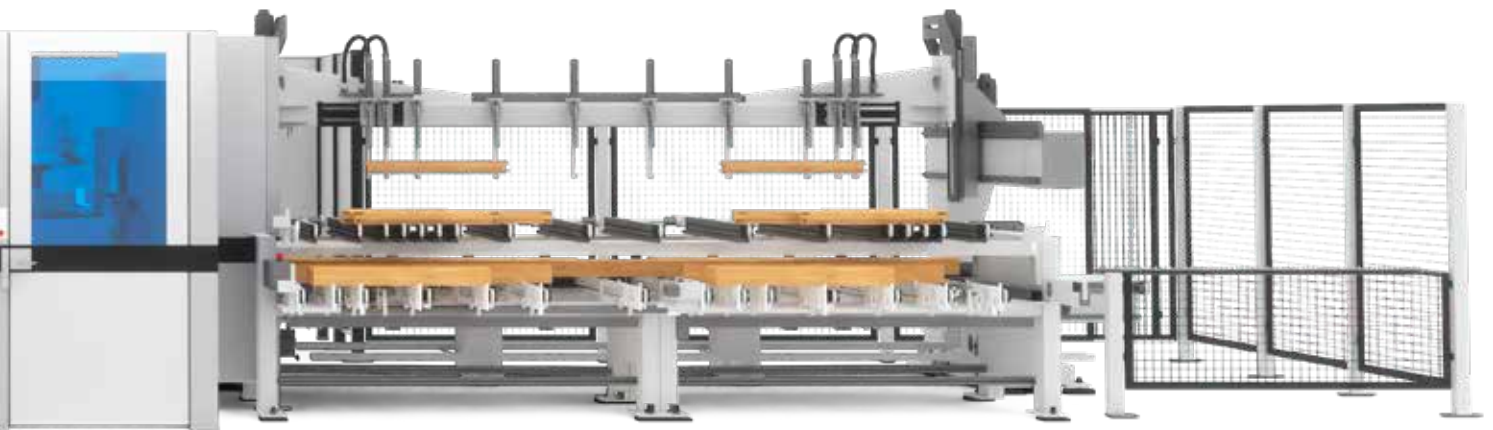
### In-house core components:

HOMAG develops core components for CNC technology itself or in cooperation with premium industrial suppliers.



### High-performance trimming spindles – independent operation on both tables

High trimming performance thanks to liquid-cooled trimming spindles with vector control for checking the speed and positioning accuracy of the spindles. Simultaneous processing on both tables is possible.



**CENTATEQ S-900:** Processing centers for automated window production from entry-level centers to industrially aligned plant concepts. Autonomous processing thanks to automated loading and removal of parts. The additional console table allows both curved and surface parts to be processed. One machine for all the diverse components of window production.



**Clamping systems for window production:**

Optimized clamping systems with a large clamping height of up to 150 mm for precise complete processing and additional equipment for the production of curved parts and doors.



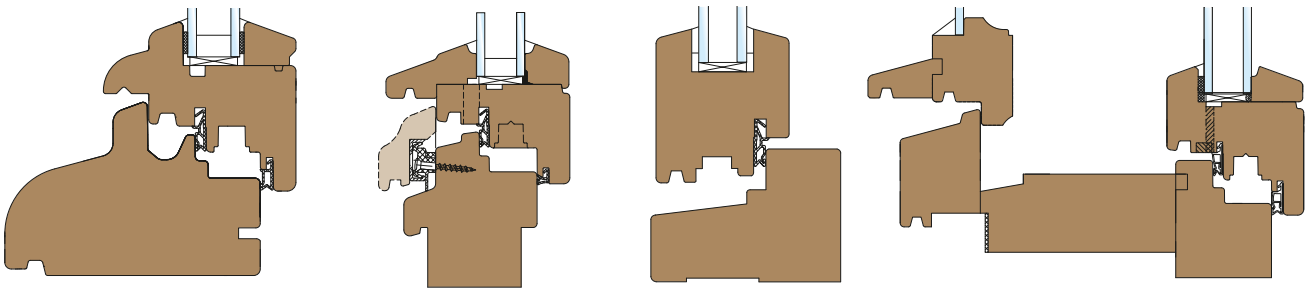
**Tool change system:**

High-capacity tool changers for 36/72 tools and short change times are the basis for operational flexibility and high productivity.

## Solutions for complex requirements

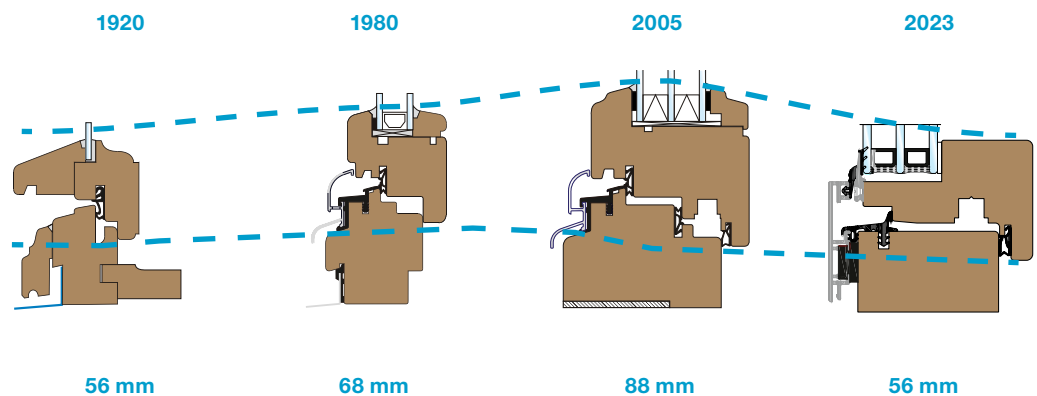
If a slim look – and therefore new profile geometries – are popular for windows, if a greater variety of products requires an increased range of components or if new fixtures and additional elements are used, you need solutions that keep pace with these developments.

HOMAG CNC processing centers and programming software are the answer to these requirements.



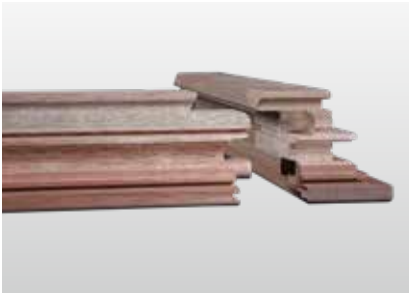
**System diversity:** Different climate zones, legal requirements and traditions are reflected in a vast variety of window systems worldwide.

This poses no problem with HOMAG CNC technology and the experience of our window specialists!



### "Slim fit" for windows: Back to the roots:

Visible widths are becoming narrow again, cross-sections are becoming slim.



**Corner connections:**

Slot and pin, dowel, screw, trimmed pins... – which type of corner should it be? HOMAG CNC processing centers let you decide and are prepared for future trends and developments.

**Complete processing:**

Thanks to complete processing, CNC technology makes window production economical. Cut-outs and bore holes for recessed locking plates, concealed fixtures, screw marks, fans or cable guides are integrated to CNC precision.

**Product variety:**

More than just windows: The CENTATEQ S-800|900 even masters doors, conservatories, stake and rail designs and lifting/sliding doors. One machine for everything.

## At a glance: CENTATEQ S-800|900

**A firm grip on everything:** The gripping and clamping technology opens up new possibilities for profile design > Future proof for new window systems

**High performance in a small space:** Parallel processing of multiple components and fast tool change, loading and removal at one point > Compact space, ergonomic operation, lower investment and operating costs

**Everything in one machine:** Integration of all components: straight parts, curved parts, doors and supplementary elements > One machine, one data interface, one tool set



**1 Console table:**

Additional consoles for processing arches, doors and flat parts.

**2 Clamping table:**

Solid clamping elements, program-controlled movement and rotation.

**3 Tool changer:**

High capacity for large and long tools. Rapid tool changes thanks to a pre-changing system.

**4 Basic machine:**

Solid gantry bridge, compact and rigid guide track for the clamping tables.

**5 Gripping unit:**

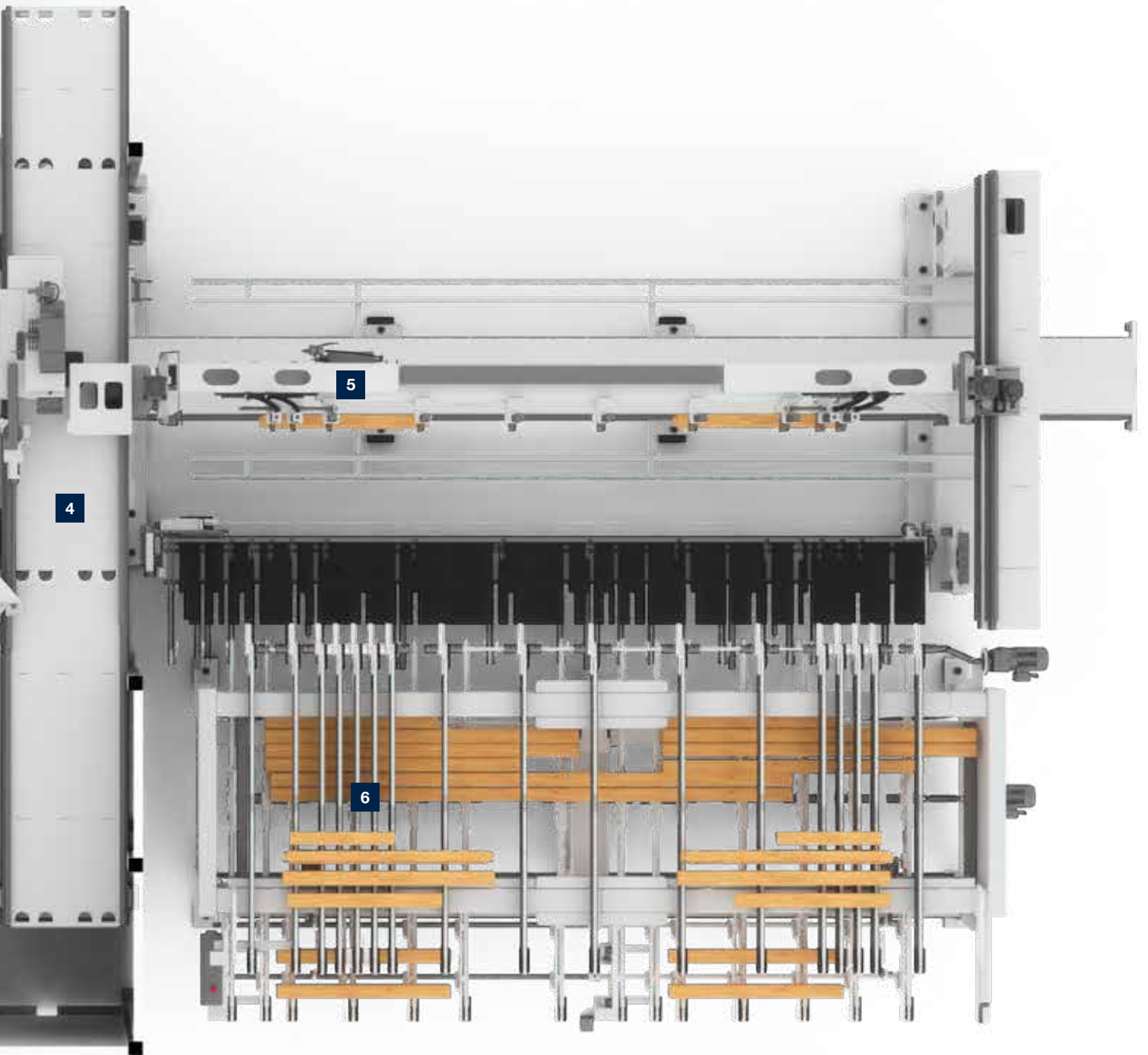
Clamping, reclamping and reclining the window scantlings and removing glass fixing rails. Precise workpiece handling thanks to the gripper system that pivots on both sides.

**6 Infeed and outfeed table:**

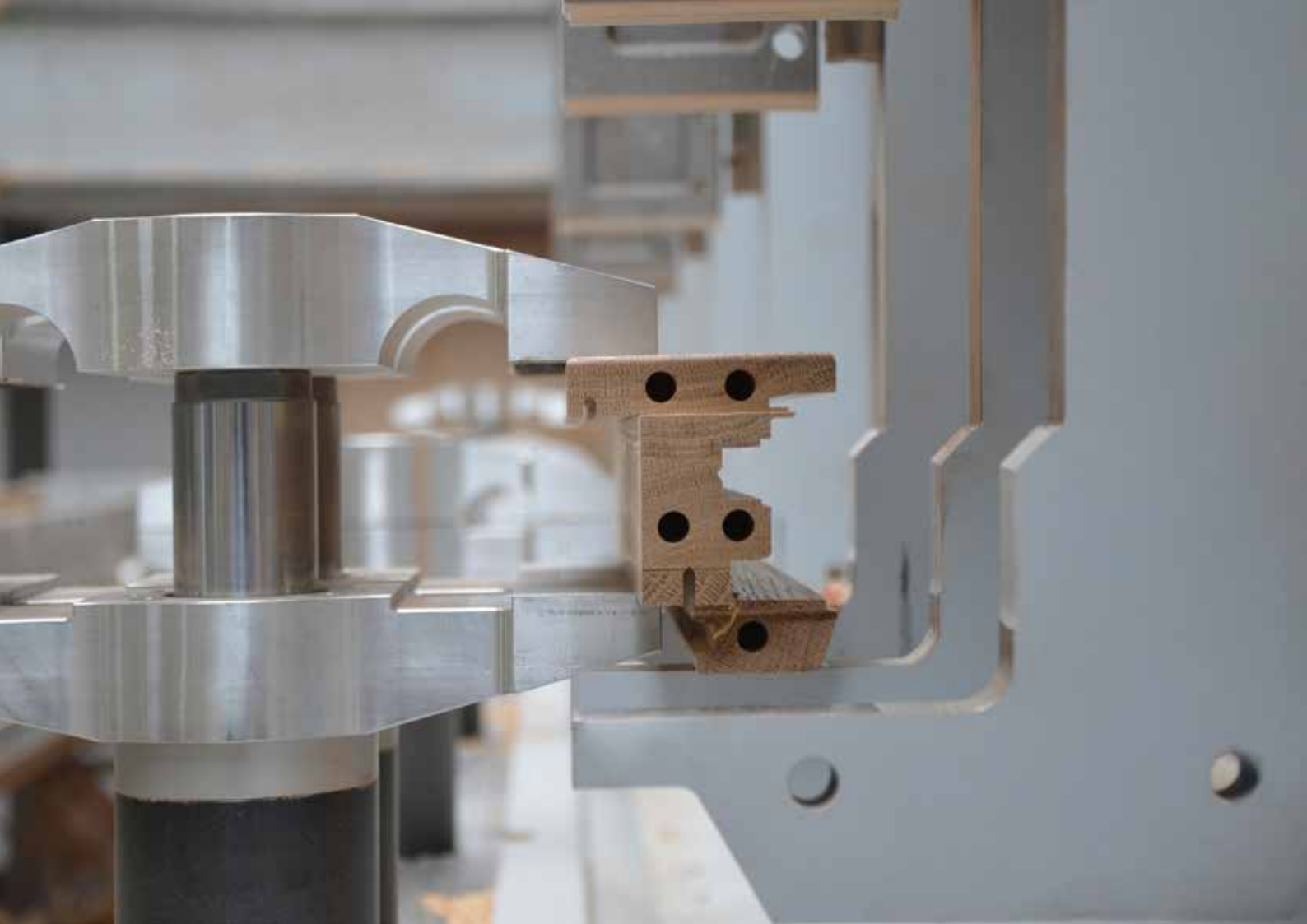
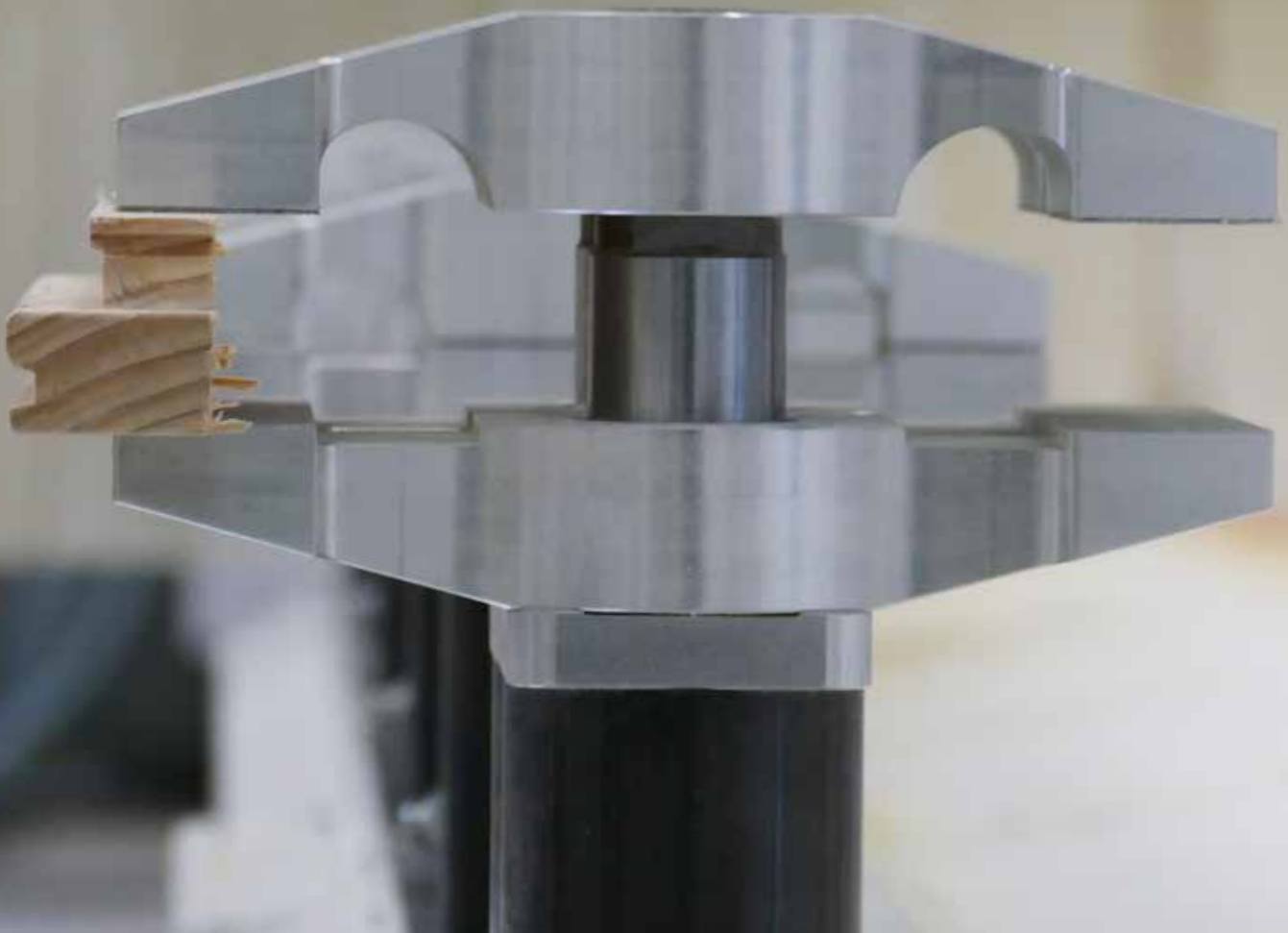
Dual-level infeeds and outfeeds for centralized workpiece handling.







CENTATEQ S-800





## More options! CENTATEQ S-800|900 clamping technology

Our clamping technology – Your advantage. Flexible processing options and perfect processing results are guaranteed. Always in the right place and with the correct overhang for processing thanks to free clamping in all directions.

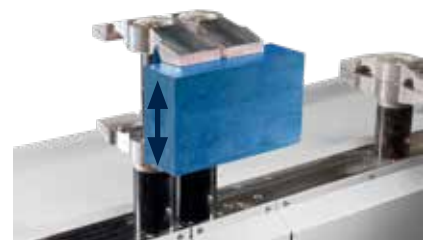
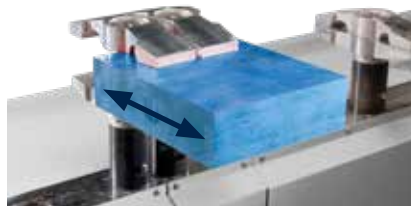


## Precise working thanks to the superior gripping and clamping technology

It is critical that the workpieces are securely gripped during the manufacturing process. HOMAG gripping and clamping technology is the optimal basis and is characterized by precise workpiece handling, a large clamping depth and flexible processing options. Suitable for everything from XXS to XXL.



**From XXS to XXL:** Workpieces with a part height of 20 mm to 150 mm and a part width of 25 mm to 300 mm can be processed in automatic mode. Lengths of up to 4200 mm are possible without a reclamping, even 6000 mm can be processed automatically.





**Dimensional check of the unprocessed parts:** During placement and clamping, the length, width and thickness of the unprocessed parts are checked for plausibility, which prevents incorrect positioning of the unprocessed parts.



**Integrated glass fixing rail:** The gripping system also allows glass fixing rail production to be integrated. The trimmed rail is broken off and is placed on the outfeed belt. This ensures that all items that are supposed to be kept together actually do remain together.



**Integrated short parts:** The clamping and gripping technology also enables the production of very short parts with a balustrade length from 120 mm.



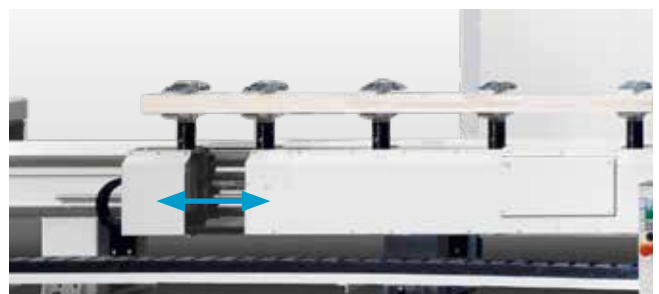
**Maximum flexibility:** Thanks to free clamping in all directions. With the ability to clamp in the rabbet for very narrow views, precisely thanks to the gripper system with servo-motor axes.



**Alignment of unprocessed parts:** Pressure bolts align the unprocessed part with the insertion table and hold the part in place until the gripper unit picks up the unprocessed part.



**Pivoting clamping plates:** The clamping plates can be programmed to swing out to the side. This means that all bore holes and cut-outs can be processed regardless of the position of the clamping elements.



**Program-controlled positionable clamping elements:** Controlled clamping elements and grippers on the handling unit ensure that the workpieces are always held with optimal side overhang.





## Performance trimming

Secure clamping of the workpieces and powerful, liquid-cooled trimming spindles for high feed rates and perfect surfaces. This allows you to make full use of the performance capability of modern tool systems.

# Spindles, units and tool changers

Our impressive spindles feature liquid cooling, a variable speed range, vector control and a spindle sensor that detects imbalances and vibrations, thus protecting the spindle. The proven 5-axis technology or the FLEX5 unit family with interchangeable 5-axis technology gives you the option of expanding the processing spectrum. What's more, the

compact tool magazine, which is available in various sizes, allows you to remain flexible. The pre-changing system of the central tool magazine provides minimal clamp-to-clamp time. All tools are housed in the immediate access area of the trimming spindles. The nested arrangement means that all space is efficiently used, even with large tools.



**Spindle sensor and chip collection:** Hoods that can be steered toward the machine from both sides and a collection of residual pieces under the machine ensure the optimal disposal of chips and trimmings. The sensor integrated in the spindle detects vibrations caused by imbalance or by inadequate workpiece clamping, thus protecting the spindle.



**5-axis technology:** DRIVE5 trimming spindles with interpolating fifth axis reduce unit costs and increase flexibility.



**FLEX5 unit technology:** Sawing, trimming and drilling at any angle, optionally with automatic tool change. For inclined bore holes, slot trimming, cuts and connection trimmings.



**Underfloor trimming unit:** For trimming and drilling workpieces from the underside, for example handle cut-outs for lifting/sliding doors without having to turn the workpieces.



**Drilling unit, 3+1 spindles:** Efficient drilling for corners, sash bars and mullions. Multiple bore holes in one cycle using versions with 20 mm or 32 mm grids.





**1 Tool management (optional):**

- Automatic detection of tools via data chip
- Comparison with the tool database
  - Avoidance of incorrect operation

**2 Pre-changing system:**

The next tool is prepared while the machine is working. The actual change only involves reclamping, allowing you to achieve the shortest possible tool change times.

**3 Large capacity:**

The large distance between the chucks means that every available space can be utilized. Nesting allows even large slot and pin tools to be accommodated. There is also space for twinned, long tools.

## More output: The profile splitting technology

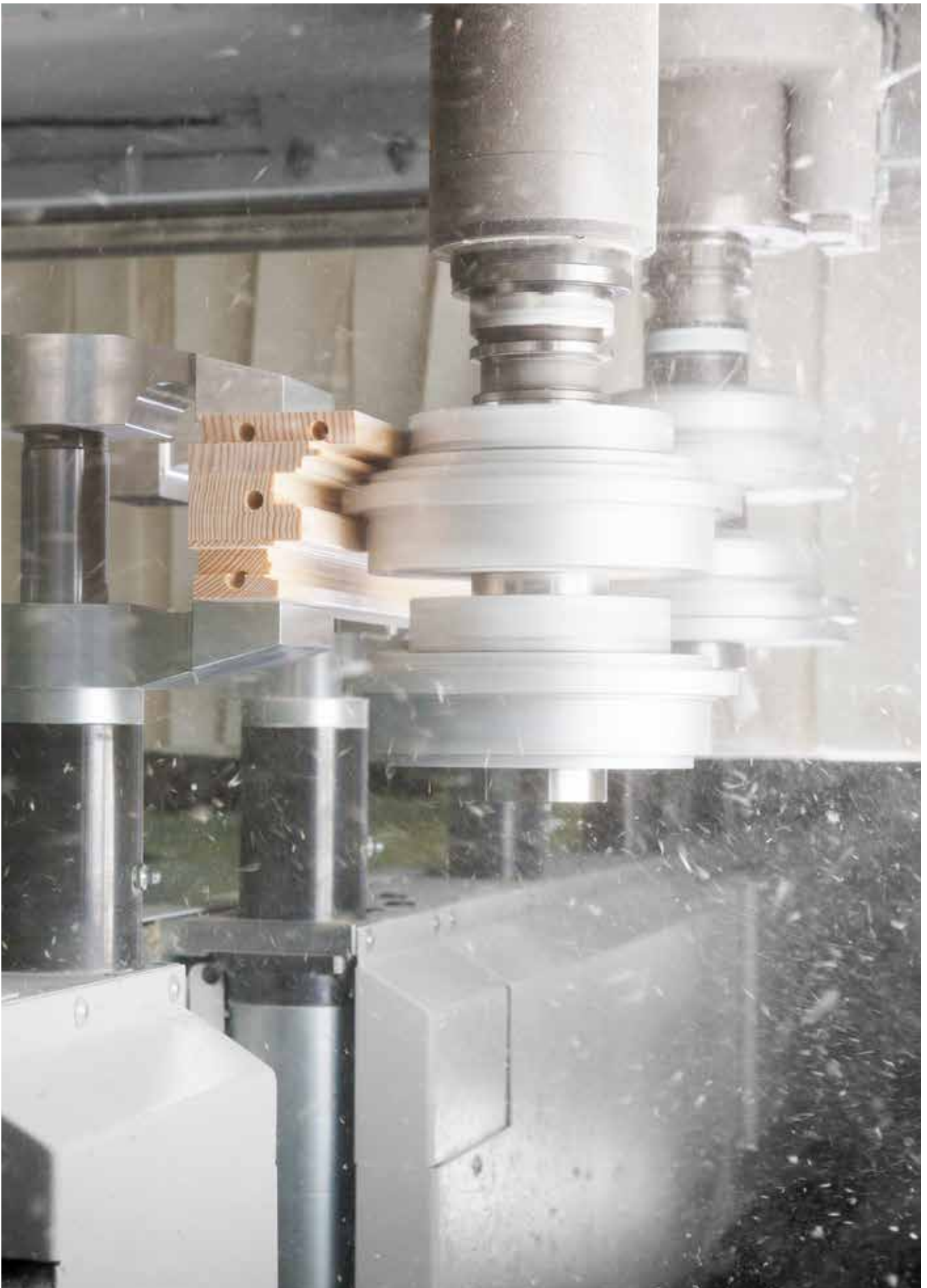
This enables efficient profile splitting, pre-trimming and finish trimming. Instead of two trimming processes with two tool changers, one is sufficient here. The tool insertion is more flexible, the service life of the tools increases and the trimming quality improves significantly.



**Simultaneous tool change:** Each of the two spindles is assigned a 36- or 72-slot tool changer with pre-changing system. This means that tools can be replaced simultaneously in both spindles in a short time.

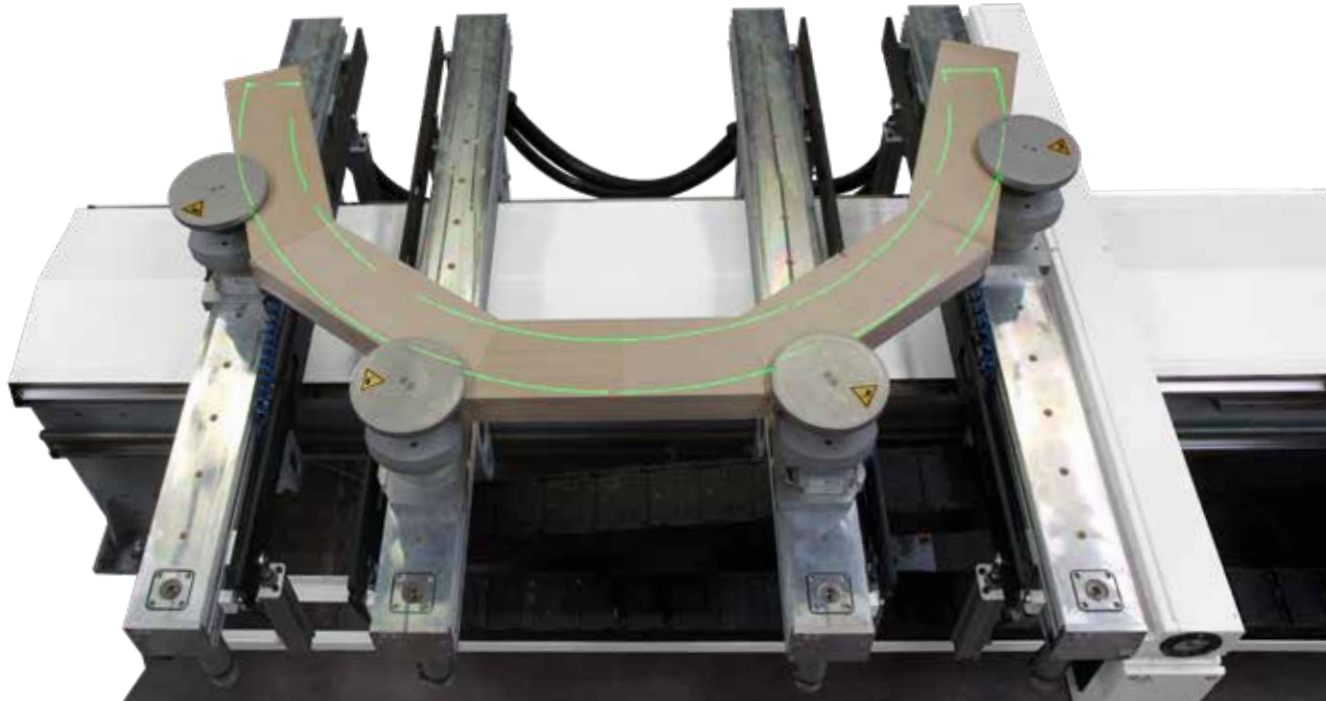


**Efficient profile splitting:** Two trimming spindles on one holder; the spindles can be adjusted to one another using NC control. This enables profile splitting processing or pre-hogging and finish trimming even for short components.



## More than just straight parts

Are you looking for a solution for arches, doors and special parts? Then the additional table is exactly right for you. Consoles with stop pins turn the CENTATEQ S-800|900 into a fully fledged surface processing center. One machine, one data interface, one tool set.



### Projection laser:

For optimal use and secure positioning of the raw material, clamping elements and the unprocessed parts are aligned for curve processing with the help of a projection laser.

### Curved elements:

The complete processing of curved elements with a pitch of up to 1300 mm in one piece reduces production times and manual effort (there is no need to plaster any joints). Of course, this includes the appropriate glass fixing rail.



### Doors:

Complete processing of front door leaves offers independence and creative design possibilities.



### Fillings:

Fillings, shutters and additional surface elements can be implemented using consoles.

# Options

Additional options allow you to expand the machine's range of functions and its convenience in a targeted manner.



**Ascending conveyor for waste pieces:**

Waste pieces from the collecting channel under the machine can be fed directly into a container or cart via an ascending conveyor.



**Tool cleaning system:**

Clean tools overnight. The ultrasonic cleaning device integrated into the machine allows tools to be cleaned without manual intervention. This simplifies exchanging the cutting disks and provides a long service life with high surface quality.



**Label printer:**

Part tracking made easy: A printer at the outfeed allows labels to be directly generated in the correct order as the parts are removed.



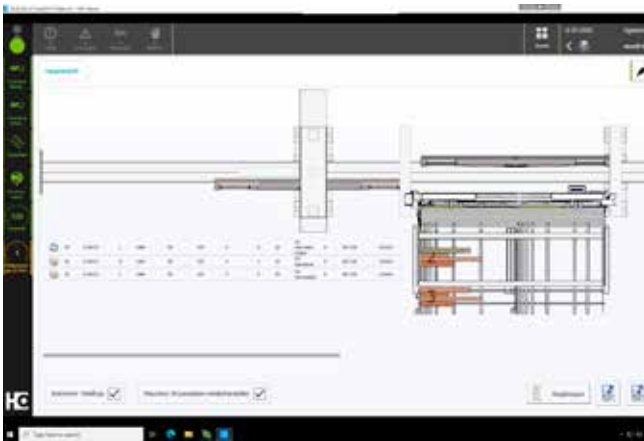
**Camera system:**

Monitoring of the processing and movements of all relevant machine components with a network system of 5/8 cameras. Real-time recorder with storage of recordings for tracking and analysis of the processes in the machine.



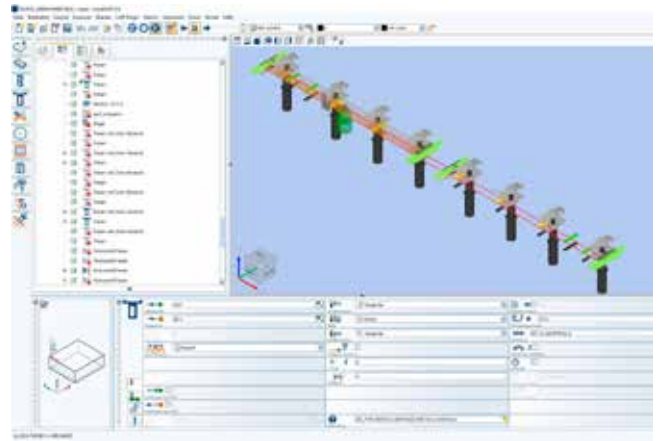
## HOMAG software solutions

**Easy. Efficient. Effective.** Our processing centers are one thing – the software to operate them conveniently and easily day-to-day is another. HOMAG software and control modules ensure maximum flexibility and operational safety. A matter of fact with HOMAG: interfaces to external programming and design systems, auxiliary programs for nesting and modules for machine monitoring and performance tracking. powerTouch is the operating philosophy of HOMAG. It unites design and function in a completely new generation of control systems. The new system is characterized by the full HD multi-touch monitor, the ergonomic touch operation, easy navigation and the standardized user interface.



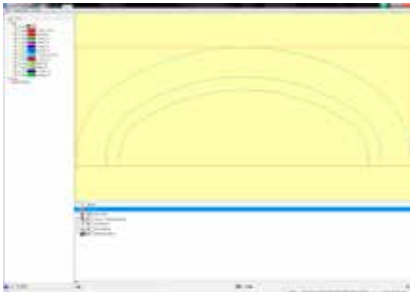
### woodFlex:

Production line control unit for the effective execution of production lists with graphical part visualization and tracking on the machine display. Thus, it is clear which part is at which point in the machine. woodFlex enables integration into production lines with upstream and downstream machines (e.g. four-sided plane, snipping saw etc.)



### woodWOP programming system:

Programming system for single parts, ideally suited for the parametric programming of special parts, e.g. special window shapes, conservatory parts, door leaves. Convenient use of macros (drilling patterns, lock casings, pocket trimmings etc.)



**woodWOP DXF import – interface for CAD data import:**

- Automatic generation of woodWOP programs using CAD drawings
- Assignment of processing steps via layer names
- With the DXF import professional, all woodWOP parameters can be defined and transferred to woodWOP using adaptable conversion rules



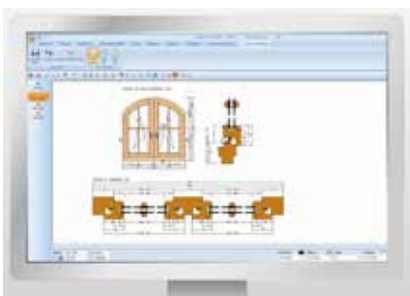
**woodScout – help in your language:**

- Optional powerful diagnostic system
- Graphic display of the malfunction location on the machine
- Clear plain-text error messages in different languages
- Adaptive system through the allocation of causes and measures (expert knowledge)



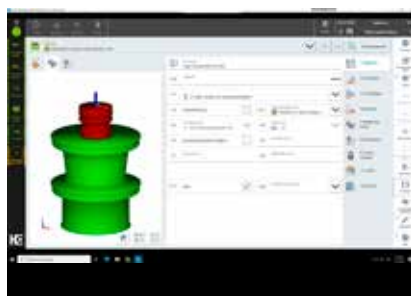
**Machine data acquisition MMR – for a productive environment:**

- Record quantities and actual operating times on the machine
- Integrated maintenance instructions for optimum time- and quantity-based planning, as well as performing maintenance
- Optional professional version allows detailed breakdown and logging of the recorded data



**Interface to industry software:**

For the seamless integration of the machine into the IT environment. From automatic creation of all processing programs to dynamic machine assignment with automatic identification of the position of the clamping elements and many more features for high-performance window production.



**Graphic tool database:**

- Dimensioned graphics for easy setup and management of tools and units
- Spatial representation of the tools



**Determining tool service life:**

- Module for recording and logging tool service lives
- By replacing tools in good time, you increase the availability of your machine and the quality of the workpiece
- Cost reduction through optimal planning of tool use

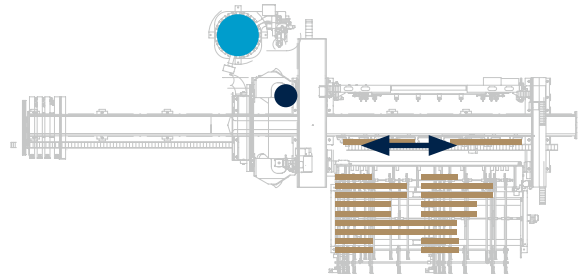
# Scalable performance

**From the entry-level CENTATEQ S-800 solution to the high-performance CENTATEQ S-900 configuration.** Do you want to produce 15 or 75 window units per shift? Which processing steps do you want to perform? Do you want to use profile splitting? The performance and processing range of the CENTATEQ S-800|900 series can be tailored to meet your needs.

## Configuration examples of the CENTATEQ S-800:

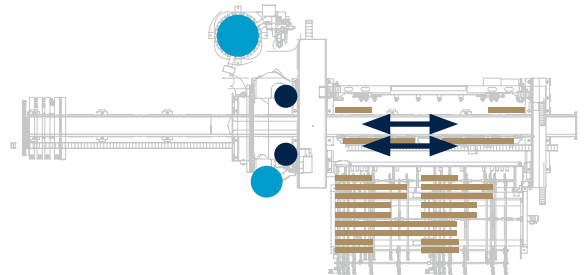
### 811/BD

- 1 clamping table with double assignment
- 1 main spindle with tool tower tool change system



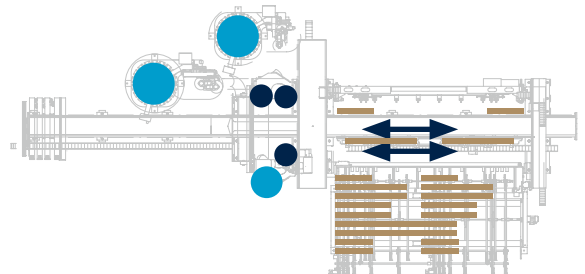
### 812/2B

- 2 clamping tables with double assignment
- 1 main spindle with tool tower tool change system
- 1 auxiliary spindle with piggyback tool changer



### 813/2B

- 2 clamping tables with double assignment
- 2 main spindles each with tool tower tool change system
- 1 auxiliary spindle with piggyback tool changer



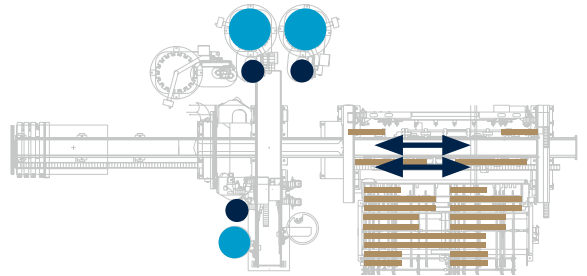
Further configurations possible on request



**Configuration examples of the CENTATEQ S-900:**

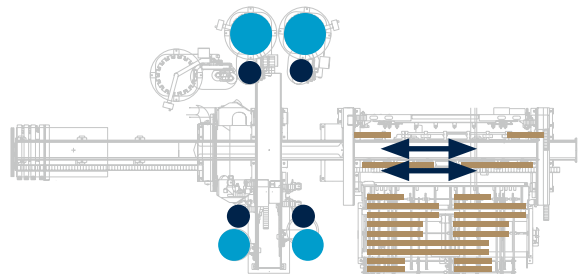
**923/2B**

- 1 clamping table with double assignment
- 1 main spindle with tool tower tool change system on the left
- 1 main spindle with tool tower tool change system on the right
- 1 auxiliary spindle with piggyback tool changer on the left



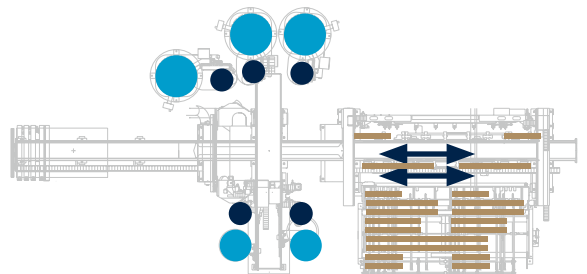
**924/2B**

- 2 clamping tables with double assignment
- 1 main spindle with tool tower tool change system on the left
- 1 main spindle with tool tower tool change system on the right
- 1 auxiliary spindle with piggyback tool changer on the left
- 1 auxiliary spindle with piggyback tool changer on the right



**925/2B**

- 2 clamping tables with double assignment
- 2 main spindles each with tool tower tool change system on the left
- 1 main spindle with tool tower tool change system on the right
- 1 auxiliary spindle with piggyback tool changer on the left
- 1 auxiliary spindle with piggyback tool changer on the right



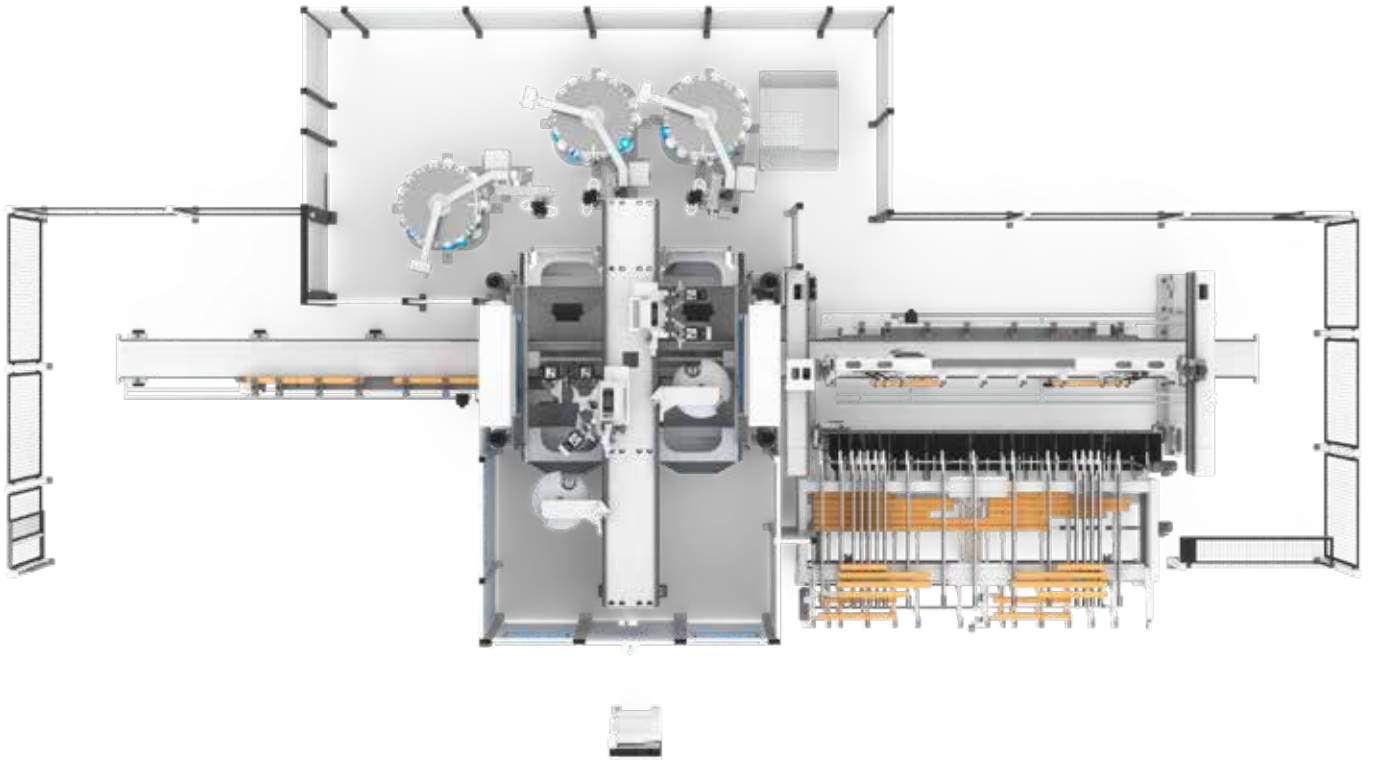
Further configurations possible on request

- Trimming spindle
- Tool change system

The achievable performance depends on the scope of processing, corner joint, tool concept, etc. Higher performance classes in the CENTATEQ S-900 series

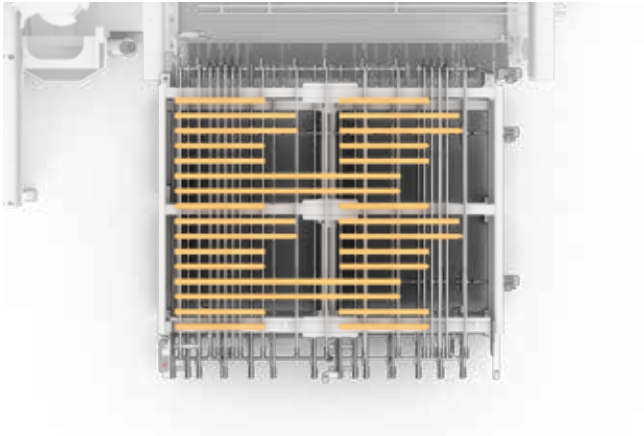
## General concepts

**Solutions tailored to your production.** Due to the extended depth of the infeeds and outfeeds or transport carriage feed, the autonomy of the machine can be increased. Loading and removal becomes a minor matter, machine operation, quality control and additional activities become the main focus. Or do you want to integrate your processing center into an overall system and interlink it with a machine for planing, cutting or surface treatment? Our application specialists for window technology work with you to create the optimal overall concept for your requirements.



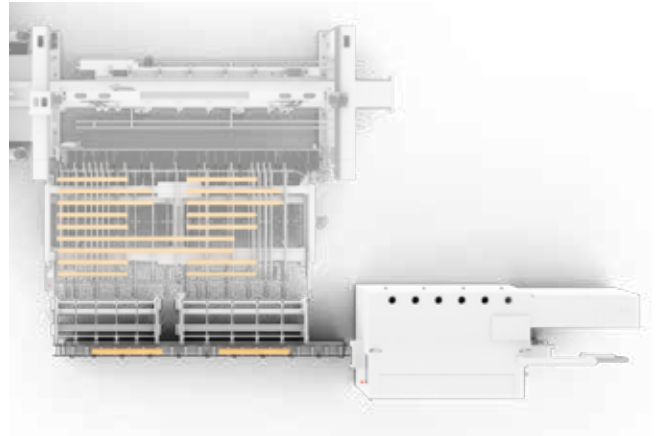
### Individual interlinking to overall concepts:

Higher performance? Integrated overall concept? We will be happy to design a solution tailored to your needs!



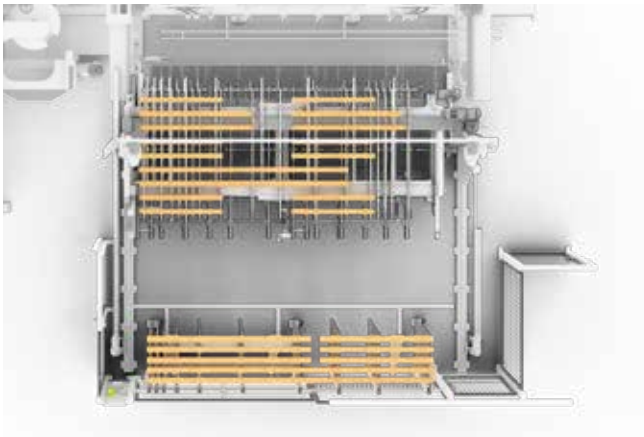
**Extended infeed/outfeed belt:**

Increased autonomy due to higher buffer capacity in the infeed and outfeed – up to several hours.



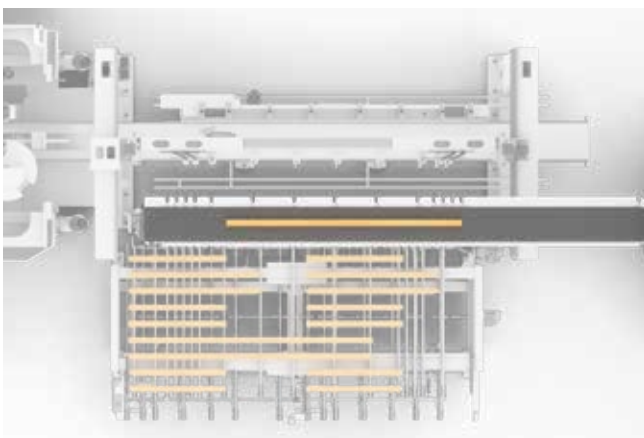
**Workpiece turner and connection to the planing machine:**

Workpiece turners and belt transports enable interlinking with a planing machine or snipping system.



**Transport carriage with automatic workpiece feed:**

For low-personnel production and even longer processing cycles without an operator.



**Outfeed belt and connection to flow priming:**

Conveyor belt in longitudinal direction instead of the outfeed belt with direct outfeed to the flow priming.



## High performance in a small space

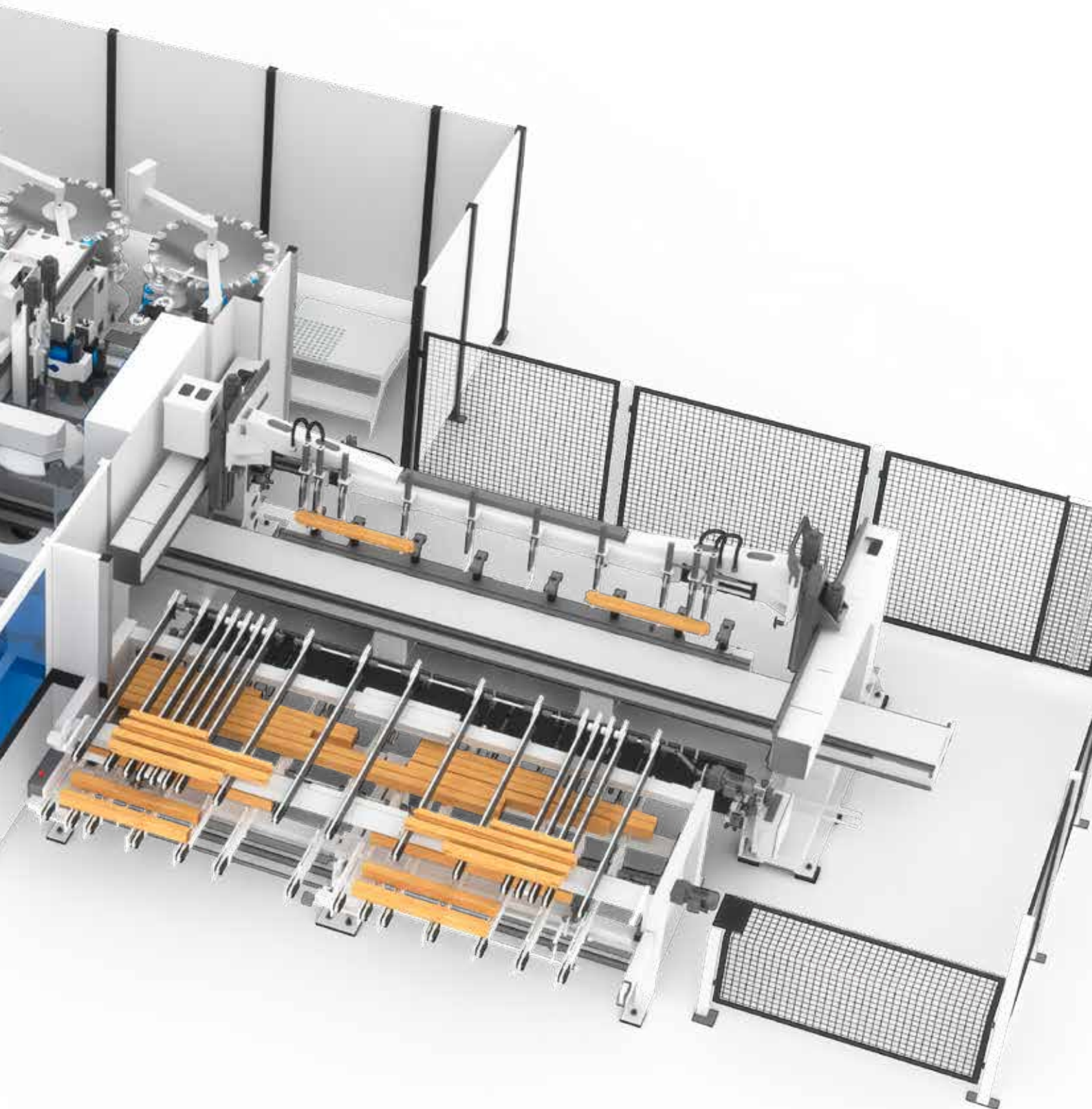
Parallel processing of multiple components, a fast tool change and feeding and removal at one point enable ergonomic operation and a small space requirement.



CONFIGURATION	INSTALLATION LENGTH*		ADDITIONAL LENGTH FOR CONSOLE TABLE		INSTALLATION DEPTH*		INSTALLATION HEIGHT	
	[mm]	[inches]	[mm]	[inches]	[mm]	[inches]	[mm]	[inches]
CENTATEQ S-800	[mm]	[inches]	[mm]	[inches]	[mm]	[inches]	[mm]	[inches]
811/BD	12,958	510.2	750	29.6	6941	273.3	3000	118.2
812/2B	12,958	510.2	750	29.6	6941	273.3	3000	118.2
813/2B	12,958	510.2	750	29.6	7861	309.5	3000	118.2
CENTATEQ S-900	[mm]	[inches]	[mm]	[inches]	[mm]	[inches]	[mm]	[inches]
923/2B	14,855	584.9	1000	39.4	7836	308.6	3000	118.2
924/2B	14,855	584.9	1000	39.4	7836	308.6	3000	118.2
925/2B	14,855	584.9	1000	39.4	7836	308.6	3000	118.2

\*Processing length up to 4200 mm

\*\*With 2 m feed table



# VALYOU

Our Mission, Your Performance.

## LIFE CYCLE SERVICES

Improved performance, more efficient processes, faster help, assurance of availability and smarter working

### TEAM & COVERAGE

Largest global service network in the industry with over 1,350 personnel.

### INSTALLATION & COMMISSIONING

For a smooth start, we only let proven experts manage your setup.

### OPERATION & CONTROL

After teaching your personnel the intuitive control system, our clever apps help to make the operator's life much easier.

### MAINTENANCE & SERVICING

To keep things running, we're happy to take a preventative approach. You decide how often and how intensively you want the support to be. As we all know, prevention is better than the cure.

### eSHOP & ONLINE ADVANTAGE

A few clicks and it's fixed. Receive exclusive advantages by ordering spare parts online, depending on market availability. [shop.homag.com](http://shop.homag.com)

### HOTLINE & READINESS

When there's an emergency, we're here. Direct by phone, digitally via app or video, or with on-site support. We are close to you with over 90 regional service organizations worldwide. With more than 35,000 spare parts immediately available, we can deliver 85% of your orders fast.

### TRAINING & EDUCATION

With classroom, live online or eLearning training, we offer flexible options to help you get knowledge. We conduct over 4,000 customer training courses every year, and we even have our own training centers in 19 countries

### MODERNIZATION & IMPROVEMENT

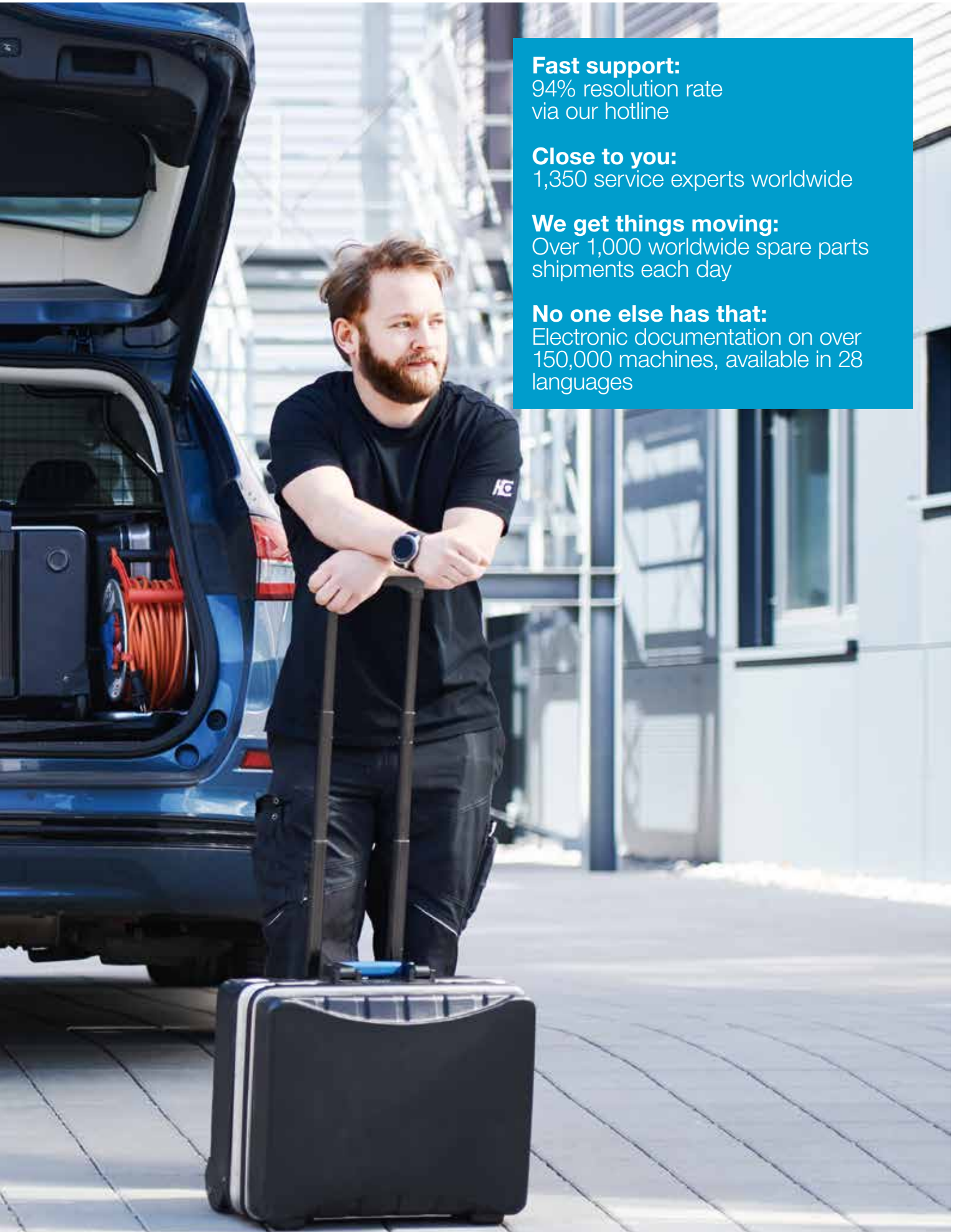
Our modernization program is tailored to your machines and processes. We can evaluate your data and situation and advise you on the next step.

### ANALYSIS & SUSTAINABILITY

On request, we analyze all your processes with proven tools and procedures (LeanSixSigma). We have a large, certified team of experts for this purpose.

### FINANCING & CONSULTING

We offer you tailor-made financing concepts worldwide. With more than 60 years of experience and a close partner network of prominent banks and insurance companies to help us to find the right solution for you, we're always transparent and reliable in processing.

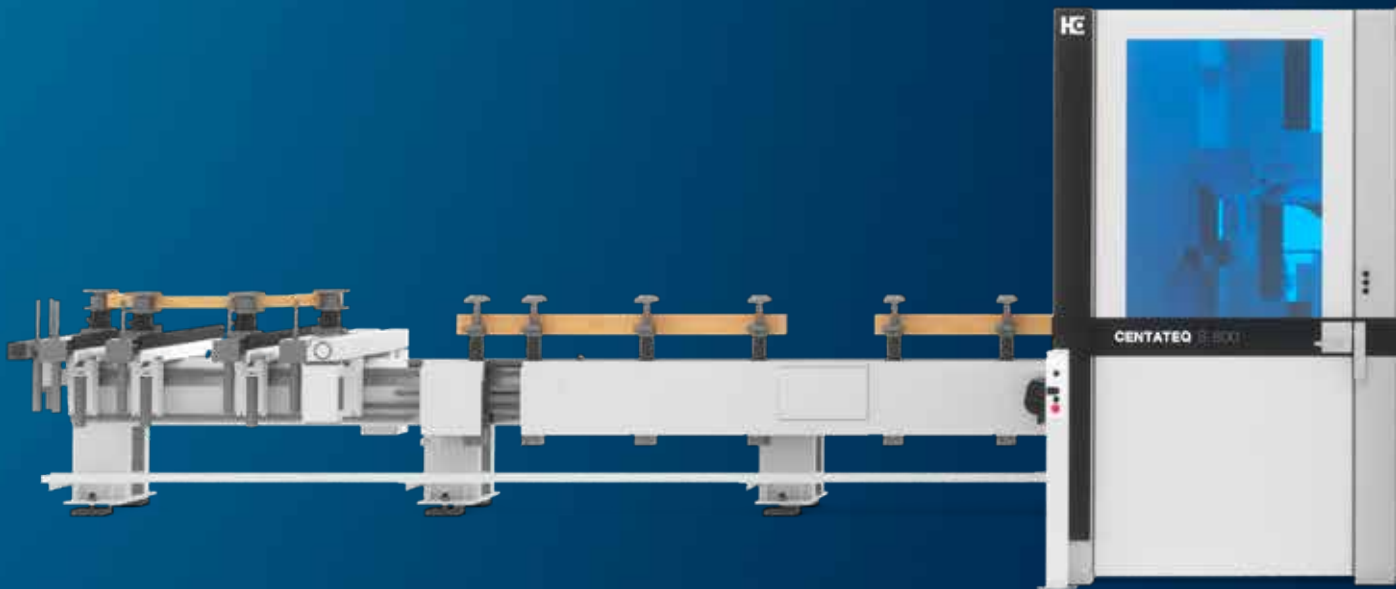


**Fast support:**  
94% resolution rate  
via our hotline

**Close to you:**  
1,350 service experts worldwide

**We get things moving:**  
Over 1,000 worldwide spare parts  
shipments each day

**No one else has that:**  
Electronic documentation on over  
150,000 machines, available in 28  
languages



Status 09/23 | Technical changes, print errors and mistakes reserved. Pictures may show special equipment.



**HOMAG Group AG**

info@homag.com  
www.homag.com

**YOUR SOLUTION**