

SAWTEQ

C-600 / 700 / 800

M-500 / 600 / 700

Fast, Precise and Economical Dividing and Grooving.

Throughfeed Rip Saws for Dividing Panel Materials





First-Class Saw Quality with HOMAG Machines for Discerning Customers

As the degree of automation achieved by modern plants continues to increase, this places greater demands on the continuous flow of materials. Which is why HOMAG has successfully taken its existing throughfeed saw concepts a step further. The principle of throughfeed dividing enables quick and efficient dividing as well as grooving of large-sized panel materials.

YOUR SOLUTION

[MORE AT HOMAG.COM](https://www.homag.com)



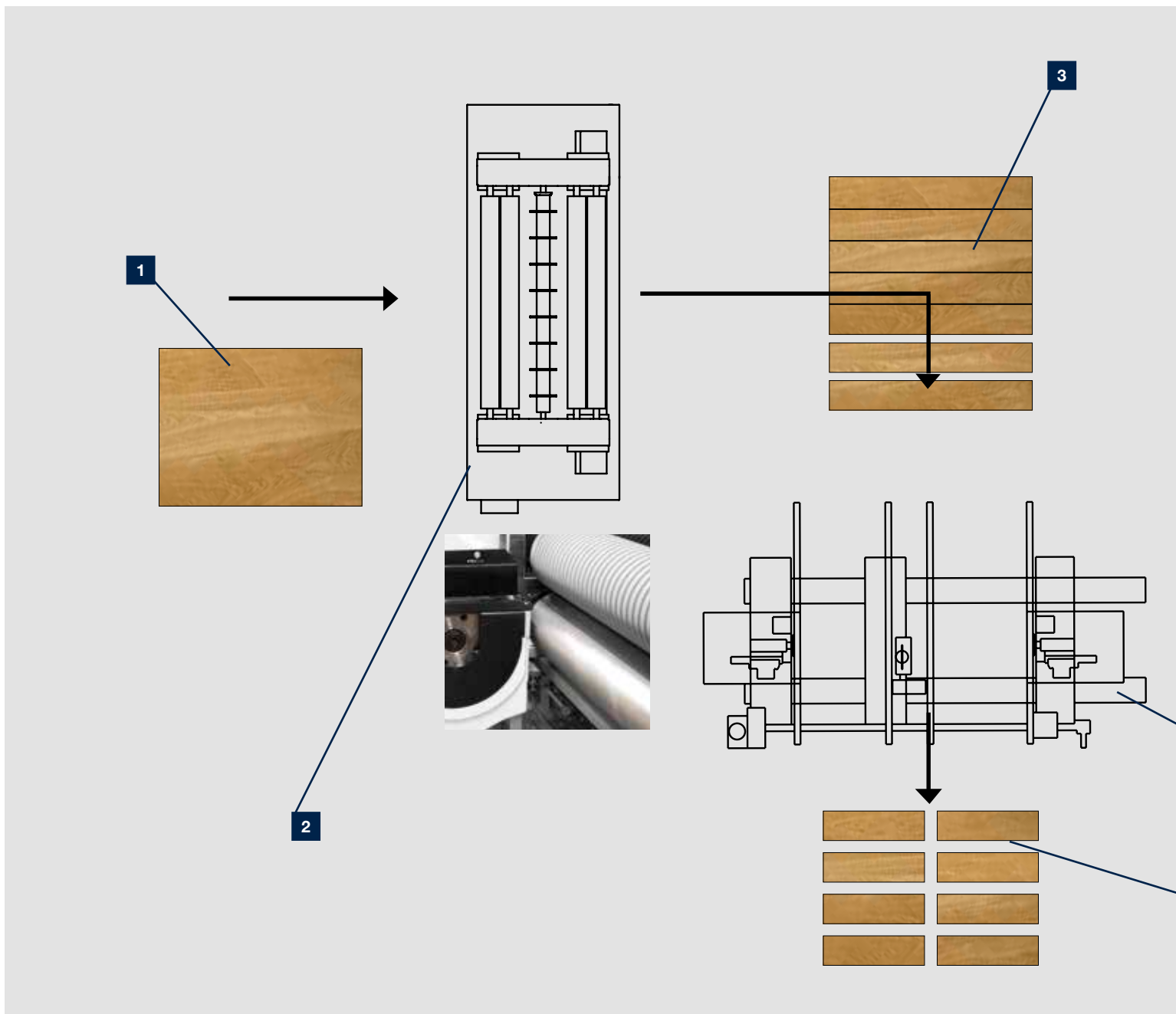
Content

- 04 Application Range of Throughfeed Saws
- 06 Throughfeed Saw Concepts
- 08 SAWTEQ M-500 | M-600 | M-700
- 14 SAWTEQ C-600 | C-700 | M-800
- 18 HOMAG LIFE CYCLE SERVICES

Versatile – application range of Throughfeed Rip Saws

Whether in the furniture industry or in the production of flooring, wall and ceiling panels, lightweight panels or strips as well as semi-finished part production for doors and door frames – throughfeed saws from HOMAG offer flexible

use. Even with very large batch sizes and high required capacity, high performance is guaranteed by the principle of throughfeed dividing.





Functional principle of rip cut panel dividing and cross cut panel dividing

- 1** Unfinished panel
- 2** Rip saw with transport rollers
- 3** Rip cut panel divided unfinished panel
- 4** Crosscutting saw with cam chain
- 5** Rip cut and cross cut panel divided unfinished panel

4

5



Rip cut panel dividing



Cross cut panel dividing



Ground transport rollers

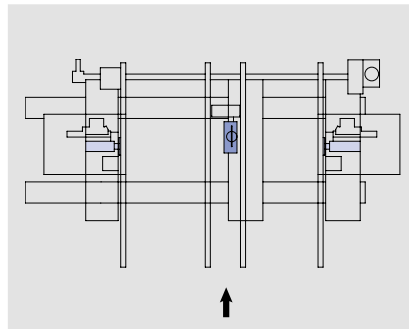
Throughfeed Rip Saw concepts

The right solution for every job: a range of criteria, such as the unfinished panel to be divided or the cutting width, place varied demands on the saws.

HOMAG offers a wide range of saw concepts and develops these on an ongoing basis.

YOUR BENEFITS AT A GLANCE

- Individually adjustable units
- Optional fully automated resetting
- Maximum performance thanks to the throughfeed dividing concept
- Stable and low vibration machine frame
- Perfectly adjusted dust hoods for each saw blade
- Automatic decorative element adjustment when combined with optical alignment station

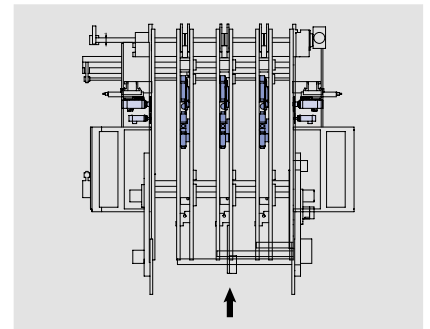


Cross cut panel dividing concept 1

Modular configuration with flexibly adjustable units –

SAWTEQ C-700 Model 310

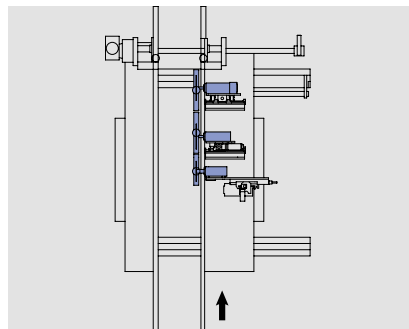
SAWTEQ C-800 Model 380



Cross cut panel dividing concept 2

Special machine with pre-scoring unit for furniture production –

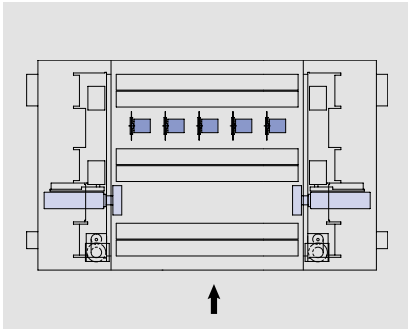
SAWTEQ C-800 Model 382



Center cutting concept

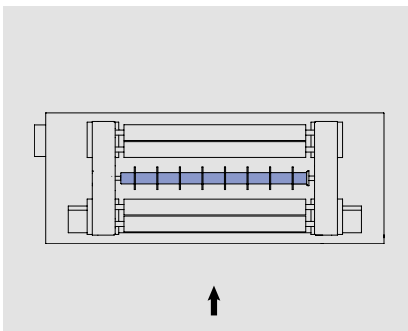
Separating double-end tenoner

SAWTEQ C-600 Model 620/PS



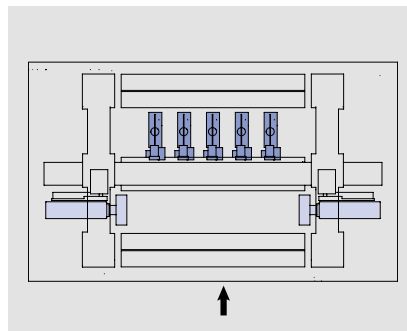
Rip cut panel dividing concept 1

Individual, freely positionable units –
 SAWTEQ M-500 Models 310, 330
 SAWTEQ M-600 Model 320



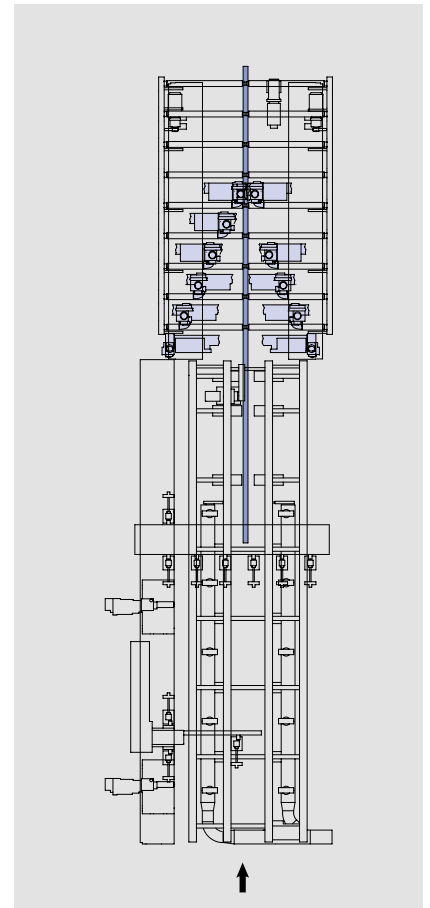
Rip cut panel dividing concept 2

Saw blades on one shaft
 SAWTEQ M-500 Model 360



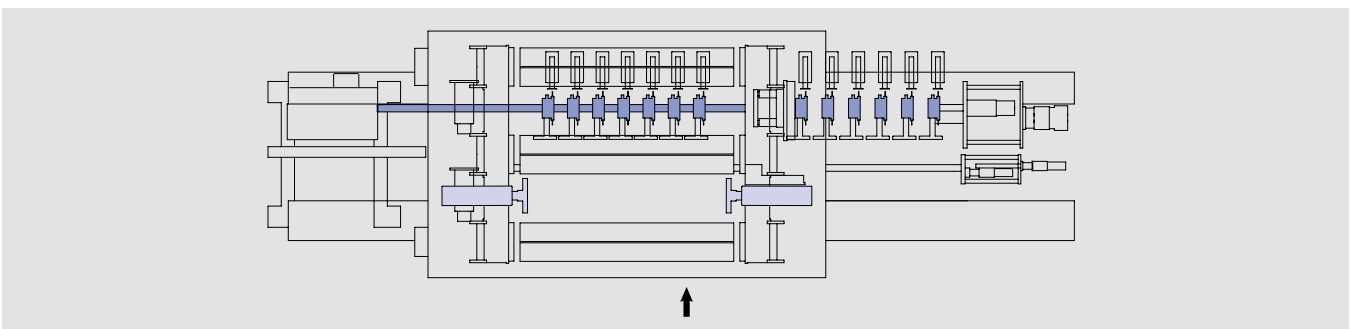
Rip cut panel dividing concept 3

Disc motors
 SAWTEQ M-500 Model 322



Rip cut panel dividing concept 5

High-precision transport system –
 SAWTEQ M-700 Model 480



Rip cut panel dividing concept 4

Polygon shaft technology –
 SAWTEQ M-600 Model 420



SAWTEQ M-500 Models 310, 330 and SAWTEQ M-600 Model 320 – flexible Multi Rip Saws

These multi rip saws are always the perfect choice. From the standard single-row machine to the automated two-row version, you'll always find the perfect solution for your

individual requirements. The throughfeed saws impress, above all, with their cost-effectiveness and flexibility.

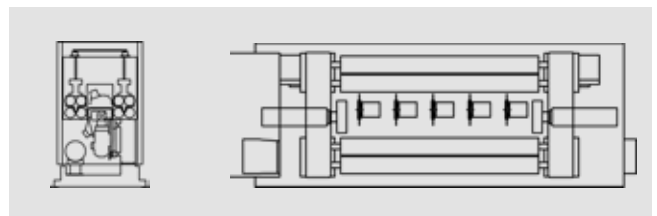
SAWTEQ M-500 Model 310 – your benefits at a glance

- Each unit can be individually adjusted
- The central extraction channel in the machine brings the suction output directly to the saw units
- Thick-walled, heavy duty dust hoods guard against the abrasive chip stream on the individual units
- Attractive machine enclosure surrounds the whole machine
- Stable workpiece transport using high-precision ground rollers, also optionally available with knurled steel rollers

SAWTEQ M-500 MODEL 310

Feed speed (m/min)	15 – 60 (110*)
Max. raw part width (mm)	2,500 (3,800*)
Workpiece thickness (mm)	6 – 40 (60*)
Min. raw part length (mm)	660
Min. cutting width (mm)	198
Machine length (mm)	1,200 (1,800*)

* on request





SAWTEQ M-500 Model 330 – your benefits at a glance

- Each unit can be fitted with a pre-scoring unit and is individually adjustable
- The central extraction channel in the machine brings the suction output directly to the saw units
- Thick-walled, heavy duty dust hoods guard against the abrasive chip stream on the individual units
- Attractive machine enclosure surrounds the whole machine
- Stable workpiece transport using high-precision ground rollers, also optionally available with knurled steel rollers



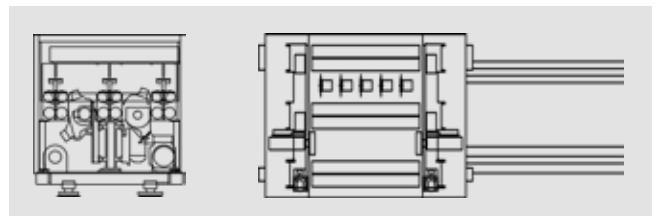
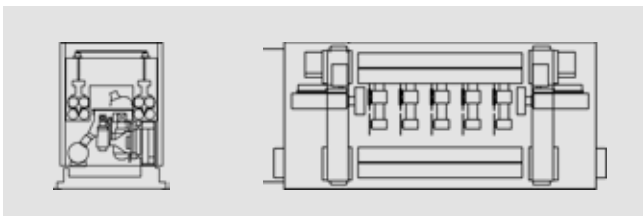
SAWTEQ M-600 Model 320 – your benefits at a glance

- Two-row machine fitted with hogger units in the first row and saw units in the second row, each unit individually adjustable
- Narrower unfinished panel dimensions are possible due to separate configuration with hoggers in the first row
- Number of saw cuts does not depend on unfinished panel width
- Attractive machine enclosure surrounds the whole machine
- Stable workpiece transport using high-precision ground rollers, also optionally available with knurled steel rollers

SAWTEQ M-500 MODEL 330	
Feed speed (m/min)	15 – 60
Max. raw part width (mm)	2,500
Workpiece thickness (mm)	6 – 40
Min. raw part length (mm)	900
Min. cutting width (mm)	198
Machine length (mm)	1,400

SAWTEQ M-600 MODEL 320	
Feed speed (m/min)	15 – 60 (110*)
Max. raw part width (mm)	2,500 (3,800*)
Workpiece thickness (mm)	6 – 40 (60*)
Min. raw part length (mm)	660
Min. cutting width (mm)	198
Machine length (mm)	1,860

* on request





SAWTEQ M-500 Model 360 – the path to increased profitability

This robust multi rip saw is designed for maximum loading. It features continuous multiple-blade shafts, which can be configured with a variety of saw blades. Quick and

easy replacement of the saw shafts ensures high machine availability.

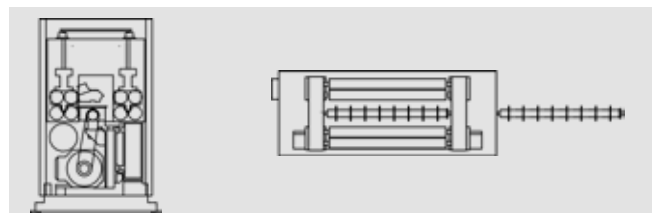
SAWTEQ M-500 Model 360 – your benefits at a glance

- High-precision shaft to accommodate tool clamping systems
- Shaft bearing integrated in main shaft, thereby preventing any bearing damage during tool change
- Pull-out saw shaft unit for simple tool change
- The central extraction unit in the machine brings the suction output directly to the saw blades
- Attractive machine enclosure surrounds the whole machine
- Stable workpiece transport using high-precision ground rollers, also optionally available with knurled steel rollers

SAWTEQ M-500 MODEL 360

Feed speed (m/min)	15 – 60 (110*)
Max. raw part width (mm)	2,500
Workpiece thickness (mm)	6 – 40
Min. raw part length (mm)	600 (450*)
Min. cutting width	
with hydro clamping system (mm)	50
with spacer ring (mm)	20
Machine length (mm)	1,200

* on request



SAWTEQ M-600 Model 420 – dividing with polygon shaft technology

A central drive shaft with a polygonal cross-section drives the individual units of this rip saw. It is a low-wear machine which allows efficient and flexible division of narrow formats.

A variable number of saw cuts can be achieved by using a saw unit bay.



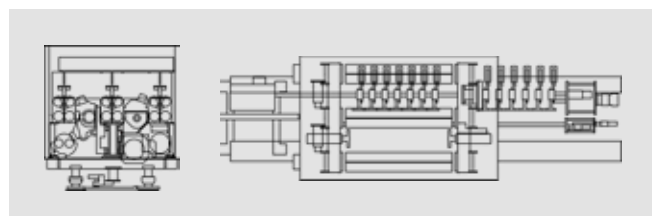
SAWTEQ M-600 Model 420 – your benefits at a glance

- Each unit can be adjusted individually
- Flexible measurement setting of 98 – 600 mm, including during machine operation (optional: automated measurement setting)
- Short set-up times thanks to optional fully automated adjustment
- All units are driven by a central shaft with polygon cross-section
- Proven components: transport systems from the SAWTEQ design modules

SAWTEQ M-600 MODEL 420

Feed speed (m/min)	15 – 60 (110*)
Max. raw part width (mm)	2,500
Workpiece thickness (mm)	6 – 25
Min. raw part length (mm)	660
Min. cutting width (mm)	98
Machine length (mm)	1,860

* on request



SAWTEQ M-500 Model 322 – dividing with disc motors

Modern disc rotor technology provides the ultimate in flexibility. The Model 322 raises the bar when it comes to automatic throughfeed rip cut panel dividing.

The dividing units can be positioned independently and therefore allow the cross cut panel dividing of large-sized panel materials as well.



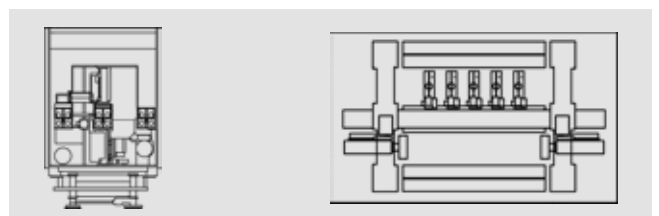
SAWTEQ M-500 Model 322 – your benefits at a glance

- Dividing units are fully automated and fast positionable
- Disc motors allow narrow workpieces to be sawed
- Flexible, automated measurement setting of the individual units, including during machine operation
- Proven components: transport system with rollers from the SAWTEQ design modules

SAWTEQ M-500 MODEL 322

Feed speed (m/min)	15 – 60 (110*)
Max. raw part width (mm)	2,800
Workpiece thickness (mm)	6 – 25
Min. raw part length (mm)	760
Min. cutting width (mm)	95
Machine length (mm)	1,960

* on request



SAWTEQ M-700 Model 480 – accurate sawing with high-precision transport system

The SAWTEQ M-700 Model 480 series is characterized by a transport system with rolling block link chain and V-belt top pressure for workpiece feeding. This transport system as well

as the throughfeed alignment station with camera system and the servo axis unit adjustments allow high-precision cutting with the smallest of tolerances.

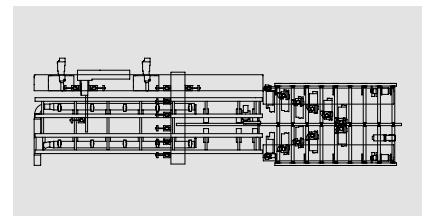
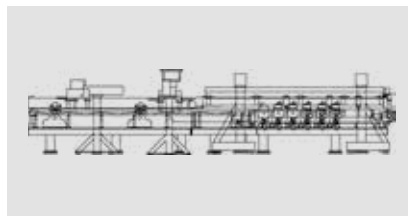


SAWTEQ M-700 Model 480 – your benefits at a glance

- Maximum precision: a guaranteed measurement tolerance of the sawn workpiece width of +/- 0.1 mm
- Saw units can be freely positioned with automatic adjustment, pneumatic activation
- Integrated throughfeed alignment
- Automatic width adjustment in the gap between workpieces during operation through detection of marks using camera systems
- Proven technology: transport system with rolling chain from the double-end tenoner series

SAWTEQ M-700 MODEL 480

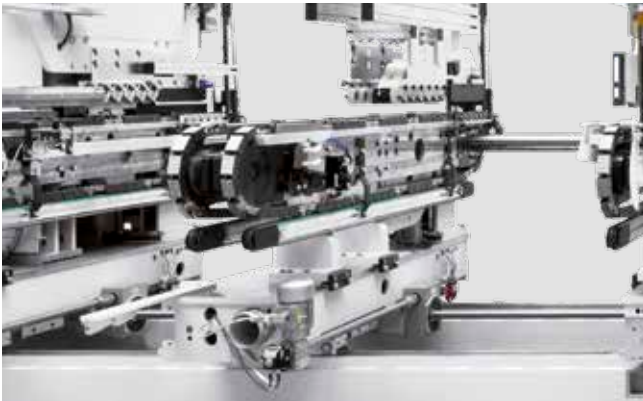
Feed speed (m/min)	30 – 60
Max. raw part width (mm)	2,080
Workpiece thickness (mm)	6 – 40
Min. raw part length (mm)	1,200
Min. cutting width (mm)	90
Machine length (mm)	6,000 – 14,000



SAWTEQ C-700 Model 310 and SAWTEQ C-800 Model 380 – flexible Crosscutting Saws

With these crosscutting saws, you are choosing maximum performance and flexibility, guaranteed by the principle of throughfeed dividing.

The throughfeed saws are ideal for cross cut panel dividing of strip- or panel-shaped workpieces in a production line.

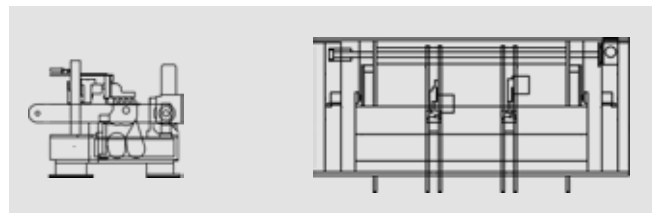


SAWTEQ C-700 Model 310 – your benefits at a glance

- Flexible setting of the cutting width through manual operation of the transport units, top pressure belt devices are positioned at the same time
- Economically priced, gliding transport chain with special stop cams on both sides of the saw units
- Modular configuration with a variable number of transport units and saw units
- Saw units work from the bottom, meaning no ragged edges on the top surface
- Workpiece magazine for high output or workpiece infeed on one level for workpieces with sensitive surfaces
- Individual dust hoods for processing units

SAWTEQ C-700 MODEL 310

Feed speed (m/min)	10 – 40
Max. raw part width (mm)	5,500
Workpiece thickness (mm)	6 – 40
Min. raw part length (mm)	65 – 1,200
Min. cutting width (mm)	320



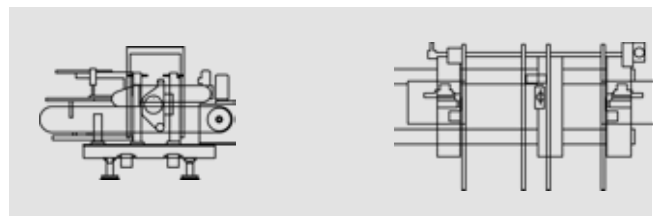
SAWTEQ C-800 Model 380 – maximum performance and flexibility



SAWTEQ C-800 Model 380 – your benefits at a glance

- Flexible setting of the cutting width through automatic operation of the transport units, top pressure belt devices are positioned at the same time
- High processing quality thanks to precise, rolling block link chains with special stop cams
- Modular configuration with a variable number of transport units and saw units
- Saw units work from the bottom, meaning no ragged edges on the top surface
- Workpiece magazine for high output and non-sensitive workpieces
- Individual dust hoods for processing units
- Proven technology components from the HOMAG double-end tenoner design modules

SAWTEQ C-800 MODEL 380	
Feed speed (m/min)	20 – 60
Max. raw part width (mm)	5,500
Workpiece thickness (mm)	6 – 40
Min. raw part length (mm)	70 – 400
Min. cutting width (mm)	710



SAWTEQ C-800 Model 382 – Crosscutting Saws for furniture production

The SAWTEQ C-800 Model 382 is a masterpiece among crosscutting saws for the furniture industry, as it allows efficient production of multiple widths in large batch sizes,

thereby guaranteeing a continuous material flow. With the use of innovative disc rotor technology, minimal cutting widths of just 310 mm can be achieved.

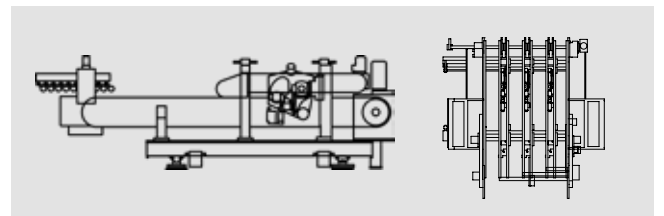


SAWTEQ C-800 Model 382 – your benefits at a glance

- High processing quality thanks to precise, 60 mm wide rolling block link chains with special stop cams
- Optional automated height adjustment of the cams and outward movement on demand in order to achieve minimum gaps between workpieces
- Infeed using workpiece magazine or infeed on one level for workpieces with sensitive surfaces
- Modular configuration with a variable number of transport units and saw units
- Individually preselectable servo pre-scoring unit, controlled at the rear edge for splinter-free processing
- Saw units with disc motors for minimum processing tolerances
- When adjusting the transport units, the top pressure belt devices are automatically positioned at the same time

SAWTEQ C-800 MODEL 382

Feed speed (m/min)	10 – 40
Max. raw part width (mm)	5,500
Workpiece thickness (mm)	10 – 40
Min. raw part length (mm)	130 – 1,700
Min. cutting width (mm)	310



SAWTEQ C-600 Model 620/PS – premium class Center Cutting Saw

The SAWTEQ C-600 Model 620/PS, based on the HOMAG double-end tenoner technology, can reduce manufacturing costs and significantly improve output. As a center cutting

saw for centric dividing of fully edged workpieces it stands for the ultimate in accuracy and cutting quality.

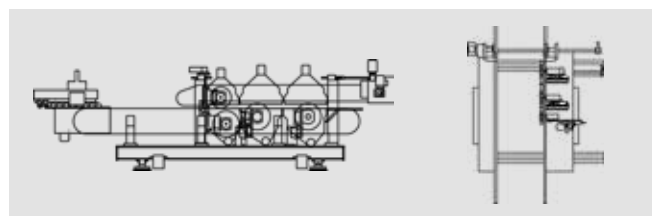


SAWTEQ C-600 Model 620/PS – your benefits at a glance

- Flexible setting of the cutting width through automatic operation of the machine stands
- High processing quality thanks to precise, rolling block link chains
- Can be optionally equipped with cams for operation as a crosscutting saw
- High cutting quality thanks to low vibration pre-scoring and separating units
- Modular configuration with pre-scoring, separating and grooving units

SAWTEQ C-600 MODEL 620/PS

Feed speed (m/min)	10 – 40
Max. raw part width (mm)	204 – 1,304
Workpiece thickness (mm)	12 – 60
Min. raw part length (mm)	300
Min. cutting width (mm)	100



VALYOU

Our Mission, Your Performance.

HC LIFE CYCLE SERVICES

Improved performance, more efficient processes, faster help, assurance of availability and smarter working

TEAM & COVERAGE

Largest global service network in the industry with over 1,350 personnel.

INSTALLATION & COMMISSIONING

For a smooth start, we only let proven experts manage your setup.

OPERATION & CONTROL

After teaching your personnel the intuitive control system, our clever apps help to make the operator's life much easier.

MAINTENANCE & SERVICING

To keep things running, we're happy to take a preventative approach. You decide how often and how intensively you want the support to be. As we all know, prevention is better than the

cure.

eSHOP & ONLINE ADVANTAGE

A few clicks and it's fixed. Receive exclusive advantages by ordering spare parts online, depending on market availability. shop.homag.com

HOTLINE & READINESS

When there's an emergency, we're here. Direct by phone, digitally via app or video, or with on-site support. We are close to you with over 90 regional service organizations worldwide. With more than 35,000 spare parts immediately available, we can deliver 85% of your orders fast.

TRAINING & EDUCATION

With classroom, live online or eLearning training, we offer flexible options to help you get knowledge. We conduct over 4,000 customer

training courses every year, and we even have our own training centers in 19 countries

MODERNIZATION & IMPROVEMENT

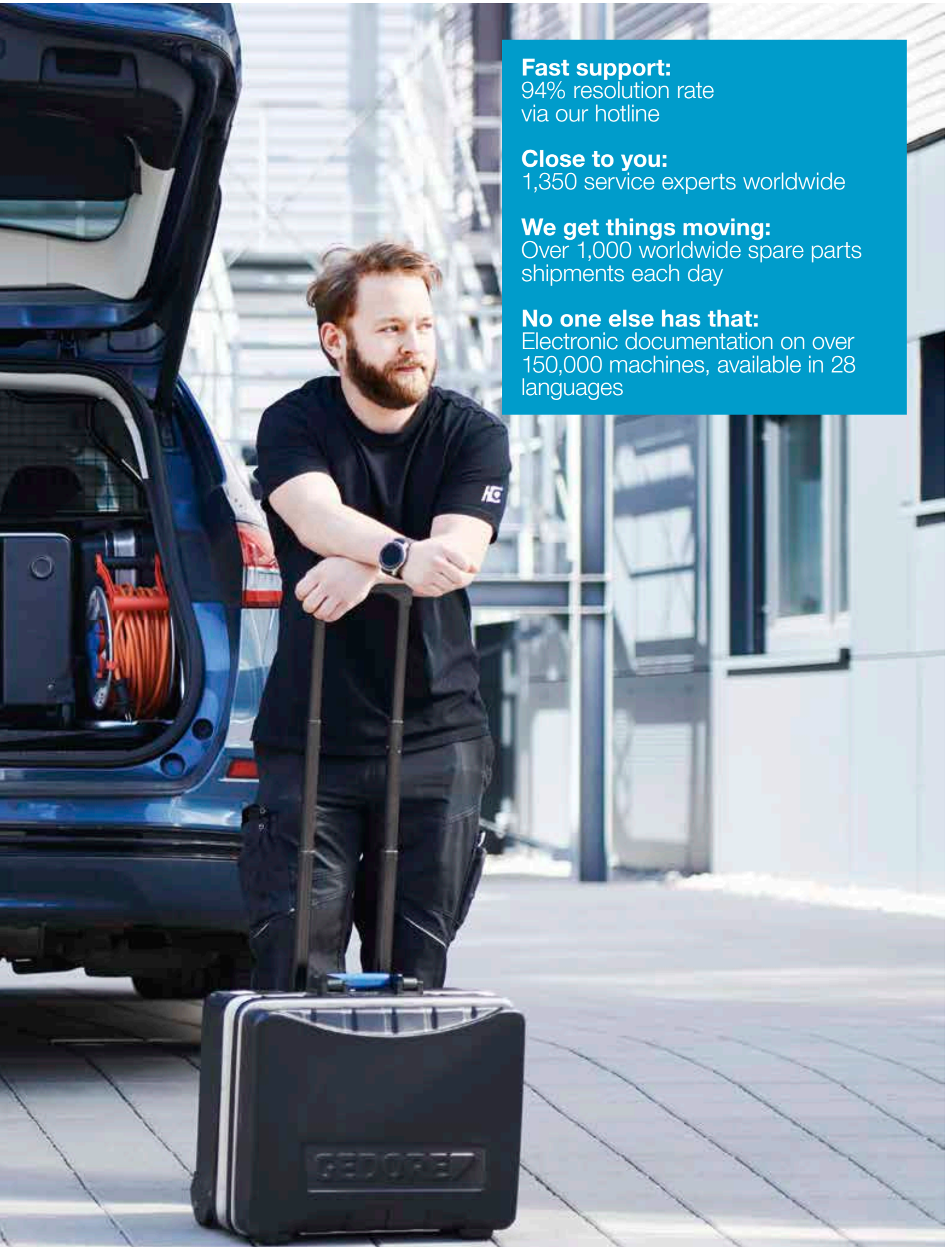
Our modernization program is tailored to your machines and processes. We can evaluate your data and situation and advise you on the next step.

ANALYSIS & SUSTAINABILITY

On request, we analyze all your processes with proven tools and procedures (LeanSixSigma). We have a large, certified team of experts for this purpose.

FINANCING & CONSULTING

We offer you tailor-made financing concepts worldwide. With more than 60 years of experience and a close partner network of prominent banks and insurance companies to help us to find the right solution for you, we're



Fast support:

94% resolution rate
via our hotline

Close to you:

1,350 service experts worldwide

We get things moving:

Over 1,000 worldwide spare parts
shipments each day

No one else has that:

Electronic documentation on over
150,000 machines, available in 28
languages



HOMAG Group AG

info@homag.com
www.homag.com

YOUR SOLUTION